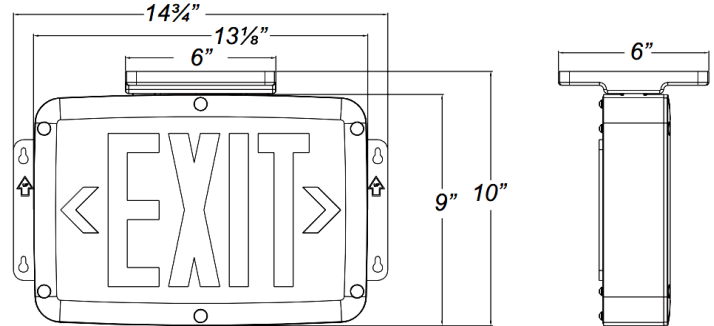




**DIMENSIONS:**



- XTN4X-1RWEM    XTN4X-2RWEM**
- XTN4X-1RBEM    XTN4X-2RBEM**
- XTN4X-1GWEM    XTN4X-2GWEM**
- XTN4X-1GBEM    XTN4X-2GBEM**

MODEL	VOLTAGE	NUMBER OF FACEPLATES	FACEPLATE	BATTERY	LETTERS COLOR
XTN4X-1RW	Dual 120-277V	Single	White	Ni-Cad	Red
XTN4X-1RB	Dual 120-277V	Single	Black	Ni-Cad	Red
XTN4X-1GW	Dual 120-277V	Single	White	Ni-Cad	Green
XTN4X-1GB	Dual 120-277V	Single	Black	Ni-Cad	Green
XTN4X-2RW	Dual 120-277V	Double	White	Ni-Cad	Red
XTN4X-2RB	Dual 120-277V	Double	Black	Ni-Cad	Red
XTN4X-2GW	Dual 120-277V	Double	White	Ni-Cad	Green
XTN4X-2GB	Dual 120-277V	Double	Black	Ni-Cad	Green

**NEMA 4X LED EXIT SIGN**

**ELECTRICAL SPECIFICATIONS:**

- Voltage: dual 120V/277V

**HOUSING SPECIFICATIONS:**

- Reinforced polycarbonate Housing with white, gray, black finish
- Universal knockout pattern on back provided with gasket for watertight seal for back mount
- Polycarbonate mounting canopy included for top or end mount.
- EZ snap-out Chevron directional indicators
- Single or double faceplates
- NEMA4X rated
- IP Rating: IP66 Suitable for wet location

**CERTIFICATIONS: UL**



**TECHNICAL SPECIFICATIONS:**

- LED indicator light alerts on battery condition
- 4.8V Rechargeable Ni-Cad battery
- 90-minute EM-rated with push style test switch and red indicator light
- Fully automatic solid-state, two-rate charger initiates battery charging to recharge a discharged battery in 24 hours

**WARRANTY: 3 years**

- Meets UL924, NFPA101 Life Safety Code, NEC, OSHA, Local and State Codes

